

DECLARATION OF CONFORMITY
DECLARACIÓN DE CONFORMIDAD



The company / La Empresa:

BASOR ELECTRIC, S.A.

Address / Dirección:

Av. Alcodar, 45-47, 46700. Gandía (VLC), Spain.

Declares that the product:

Declara que el producto:

BASORSUPPORT C-SHOT

Installed in accordance to the installation standards, manufacturer's instructions and professional rules, duly maintained and used for the applications as intended.

Instalado de acuerdo con las normas de instalación, instrucciones del fabricante y conforme a las reglas profesionales, debidamente mantenido y utilizado en las aplicaciones para las que está previsto.

Complies with the essential requirements of the Council Directives:

Cumple con los requisitos esenciales de las Directivas del Consejo:

2014/35/UE (Low Voltage Directive) / (Directiva de Baja Tensión)

Incorporated in the Spanish Legislation in: R.D. 7/1988 and its modification R.D. 154/1995.

Incorporado en la Legislación Española en: R.D. 7/1988 y su modificación R.D. 154/1995.

And it is suitable and safe for the intended use and it is in conformity with the following standard:

Es adecuado y seguro para el uso a que está destinado y es conforme con la siguiente norma:

UNE EN 61537

Additional information:

Información adicional:

This product is intended to be installed and maintained by skilled persons, it may be used by ordinary persons only as a replacement part, to substitute for an identical device.

Este producto está previsto para ser instalado y mantenido por un profesional, puede ser usado por una persona no formada para reemplazamiento de uno idéntico.

Place and date:

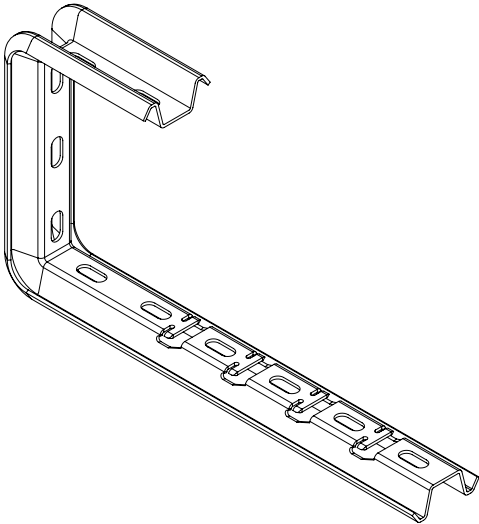
Lugar y fecha:

Gandía April 2016

Gandía Abril 2016

Technical department / Departamento Técnico

C-SHOT CEILING SUPPORT



Models (B):

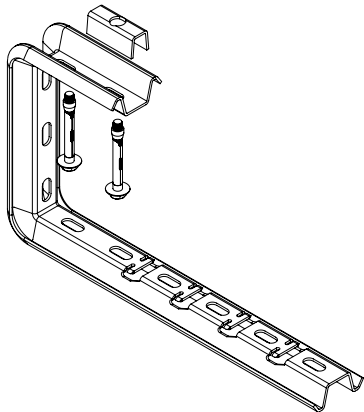
100; 150; 200; 300

Finishes: PG; HDG

Characteristics:

- Metallic
- Non-flame propagating component
- With electrical continuity characteristic
- Electrically conductive system
- With a metallic finish; resistance to corrosion:
 - PG coating: class 3
 - HDG coating: class 6
- Minimum temperature of -50 °C
- Maximum temperature of 150 °C

INSTRUCTIONS FOR USE



- For the assembly of the support, two anchorages are needed, and the SHO Supporting Piece is used to reinforce the fixation on the wall.
- This support had been designed so that one sole component allows the assembly of the tray or closed cable tray on to the ceiling.
- The C-SHOT support had been designed to have the minimum free height which allows the installation of the cables.
- C-SHO supports are used as horizontal supports for ERE, BF and BFR cable trays.
- For the ERE Cable Tray fixation two B1 Bolt Set are needed.
- For the BF/BFR Cable Trays fixation additional pieces are NOT needed. To install these cable trays you only need a flat bated screwdriver to bend the T-Shaped fixing flap.

SAFE WORKING LOAD

